

**SLK60P6L** 205 Wp - 240 Wp

## Poly-Crystalline Solar Modules

Real World Tested • Globally Trusted



- Excellent Power Tolerance +3/0 %
- Outstanding Low-Light Performance
- 25 Year Power Output Warranty
- UL and TÜV Certified for Worldwide Applications
- High Performance Modules with Efficiency up to 14,8%
- Carbon Friendly

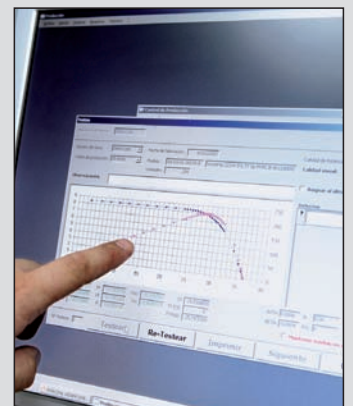
## Why Siliken?

- Our global success has established a solid foundation to service the long-term needs of the solar industry.
- With over 160 MW installed worldwide, we have built a respected brand by consistently providing a quality product with proven performance.
- Our firm commitment to R&D allows us to reduce costs and permanently improve efficiency. What's more, it enables us to improve our existing products and develop new technologies in the renewable energy field.

## Siliken Guarantees

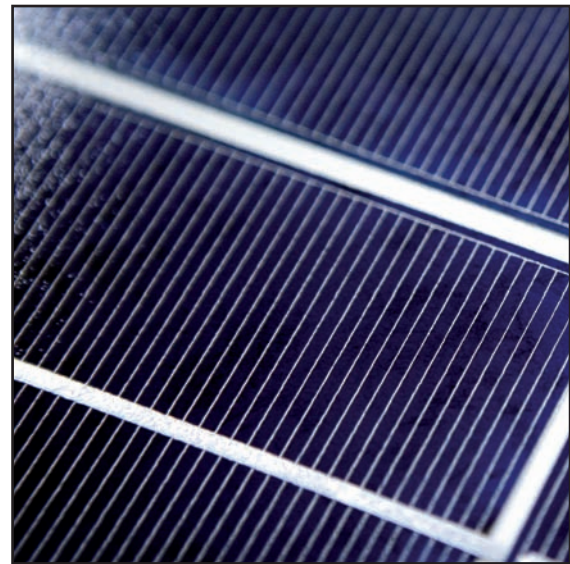
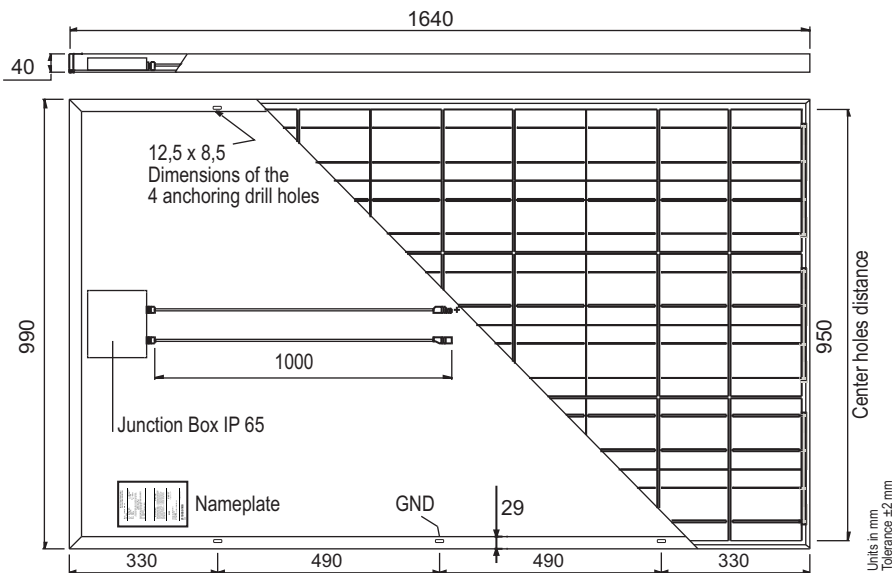
The Siliken modules are certified according to UL and TÜV standards. The high quality and reliability ensure the prompt return of investment for any PV installation, including residential, commercial or solar parks.

Each module goes through its testing phases, including strict power production verification and resistance tests in radiation simulators. With innovative products and solutions successfully implemented around the world, Siliken is a recognized global leader in solar power.

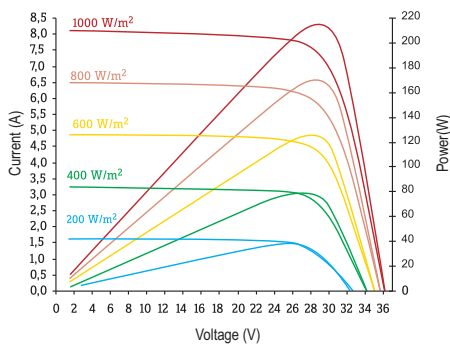


# SLK60P6L 205 Wp - 240 Wp

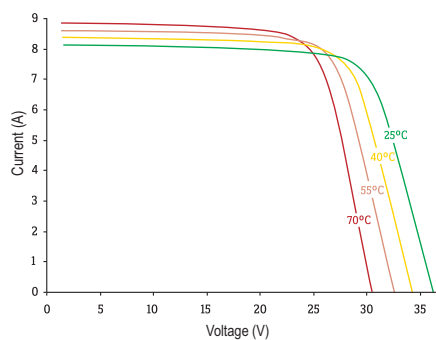
## Poly-Crystalline Solar Modules



SLK60P6L - 225 Wp  
I-V and Pmax characteristics with a variety of radiation levels at 25°C

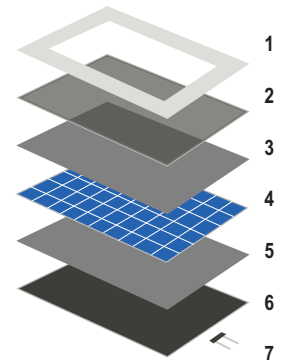


SLK60P6L - 225 Wp  
I-V characteristics with a variety of cell temperatures at 1.000 W/m²



### Constructive Characteristics

- 1 FRAME
- 2 GLASS PLATE
- 3 & 5 EVA
- 4 CELLS
- 6 BACKSIDE FOIL
- 7 JUNCTION BOX



### Mechanical Data

Dimensions (LxWxD)	1640 x 990 x 40 mm
Weight	19 kg
Output Cables	Symmetrical length cable 1 m Ø4 mm <sup>2</sup> , doble insulation coating, halogen free, UV resistance
Junction Box	IP-65 rated with bypass diodes
Frame	Anodized aluminum alloy type 6063 T6
Front Glass	3,2 mm low iron tempered glass with high transmissivity
Solar Cells	60 Poly-crystalline cells 156 x 156 mm

### Electrical Data

		205	210	215	220	225	230	235	240
Maximum power at STC (+3/0 %)	P <sub>mp</sub> (Wp)	205	210	215	220	225	230	235	240
Efficiency at STC	η (%)	12,6	12,9	13,2	13,6	13,9	14,2	14,5	14,8
Fill Factor	FF	0,713	0,719	0,732	0,740	0,746	0,749	0,752	0,753
Voltage at Maximum Power	V <sub>mp</sub> (V)	28,7	28,9	29,0	29,2	29,3	29,5	29,5	29,6
Current at Maximum Power	I <sub>mp</sub> (A)	7,15	7,30	7,41	7,54	7,68	7,79	7,97	8,12
Open Circuit Voltage	V <sub>oc</sub> (V)	36,4	36,5	36,6	36,7	36,8	36,9	36,9	37,0
Short Circuit Current	I <sub>sc</sub> (A)	7,90	8,00	8,02	8,10	8,20	8,32	8,47	8,61
Maximum Voltage UL / IEC	V <sub>max</sub> (V) UL/IEC	600 / 1000							
Temperature Coefficient of Pmp	T <sub>k</sub> P <sub>mp</sub> (%/°C)	-0,47							
Temperature Coefficient of Voc	T <sub>k</sub> V <sub>oc</sub> (%/°C)	-0,356							
Temperature Coefficient of Isc	T <sub>k</sub> I <sub>sc</sub> (%/°C)	+0,062							
Normal Operating Cell Temperature	NOCT (°C)	49±2							

Values at Standard Test Conditions STC: Irradiance 1.000 W/m<sup>2</sup>, Air Mass AM 1,5 and cell temperature 25°C

### Certifications

UL Listed	UL 1703
Fire Rating	Class C
TÜV Certified	IEC 61215 / IEC 61730
ISO 9001:2000	Nº ES08/5170
ISO 14001	Nº ES09/6520
EC Declaration of conformity (CE Mark)	

### Tested Operating Conditions

Temperature	-40 °C to +85 °C
Static Load	2400 Pa
Max Load	5400 Pa
Impact Resistance	Hailstone impact Ø25 mm at 23 m/s

### Warranty

25 year limited warranty of 80% output power
10 year limited warranty of 90% output power
5 year limited warranty of materials and workmanship

### MANUFACTURED IN SPAIN

#### Siliken Modules, S.L.U.

C/ Massamagrell, 40 • Pol. Ind. L'Horteta.

46138 Rafelbunyol - Valencia - **Spain**.

Tel.: (+34) 902 41 22 33 - Fax: (+34) 96 141 05 14 • www.siliken-modules.com

#### HEAD OFFICE

#### Siliken S.A.

Ronda Isaac Peral y Caballero, 14. Parque Tecnológico.

46980 Paterna - Valencia - **Spain**.

Tel.: (+34) 902 41 22 33 - Fax: (+34) 96 070 92 65 • www.siliken.com

**WARNING:** Read the instruction manual carefully before using this product

**NOTE:** Siliken Modules, S.L.U. reserves the right to modify this product without prior notice